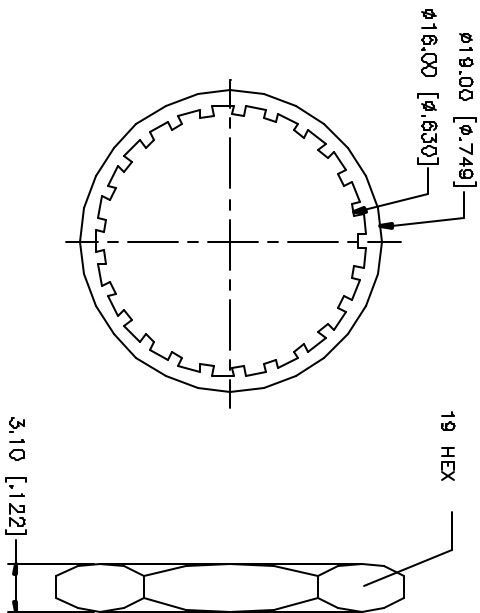
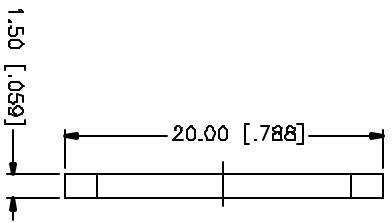
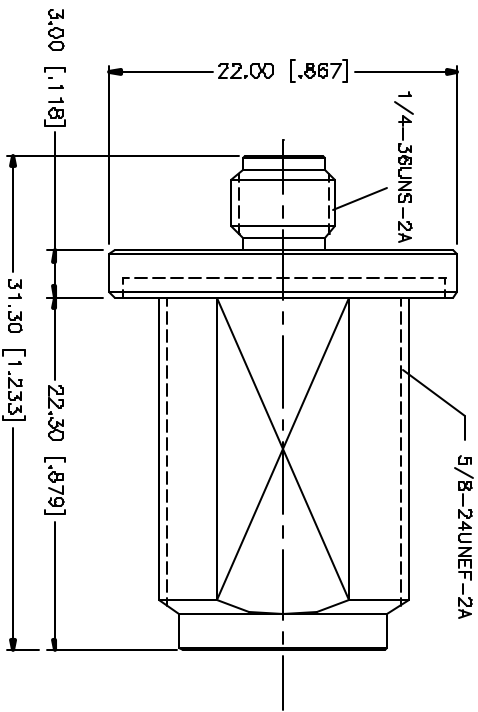
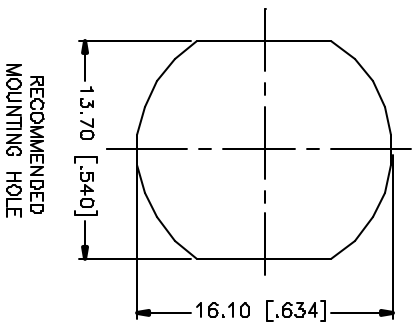


REV.	DATE	DESCRIPTION
A	05/01/04	UPDATE DRAWING FORMAT



NO.	DESCRIPTION	MATERIAL	FINISH	QTY	UNLESS OTHERWISE SPECIFIED DIMENSIONS ARE IN MILLIMETERS (PARENTS IN [] ARE IN INCHES) AND FOR OVERLAP TOLERANCE ONLY.	APPROVALS	DATE	PART DESCRIPTION				
8					UNLESS OTHERWISE SPECIFIED DIMENSIONS ARE IN MILLIMETERS (PARENTS IN [] ARE IN INCHES) AND FOR OVERLAP TOLERANCE ONLY. TOLERANCES FOR MILLIMETERS: 0.5 - 10mm ± 0.20mm 10 - 30mm ± 0.40mm 30 - 120mm ± 0.50mm 120mm - 300mm ± 0.80mm TOLERANCES FOR INCHES: .020 - .315 = ± 0.007" .315 - 1.180 = ± 0.015" 1.180 - 4.774 = ± 0.020" DO NOT SCALE DRAWING			Amphenol Connex N FEMALE TO SMA FEMALE BULKHEAD ADAPTER				
7				DRAWN		G.R.S.	05/01/04					
6	HEX NUT	BRASS	NICKEL	1		CHECKED						
5	LOCK WASHER	BRASS	NICKEL	1		ISSUED						
4	GASKET	SILICONE	RCD	1		SHEET	1 OF 1					
3	CONTACT PIN	BER, COPPER	GOLD	1								
2	INSULATOR	TEFLON	NATURAL	1								
1	BODY	BRASS	NICKEL	1								
DESCRIPTION		MATERIAL	FINISH	QTY	DO NOT SCALE DRAWING	APP. FILE	C:/242/242125.DWG	DATE	05/01/04	REV. A	SIZE A	SCALE NA